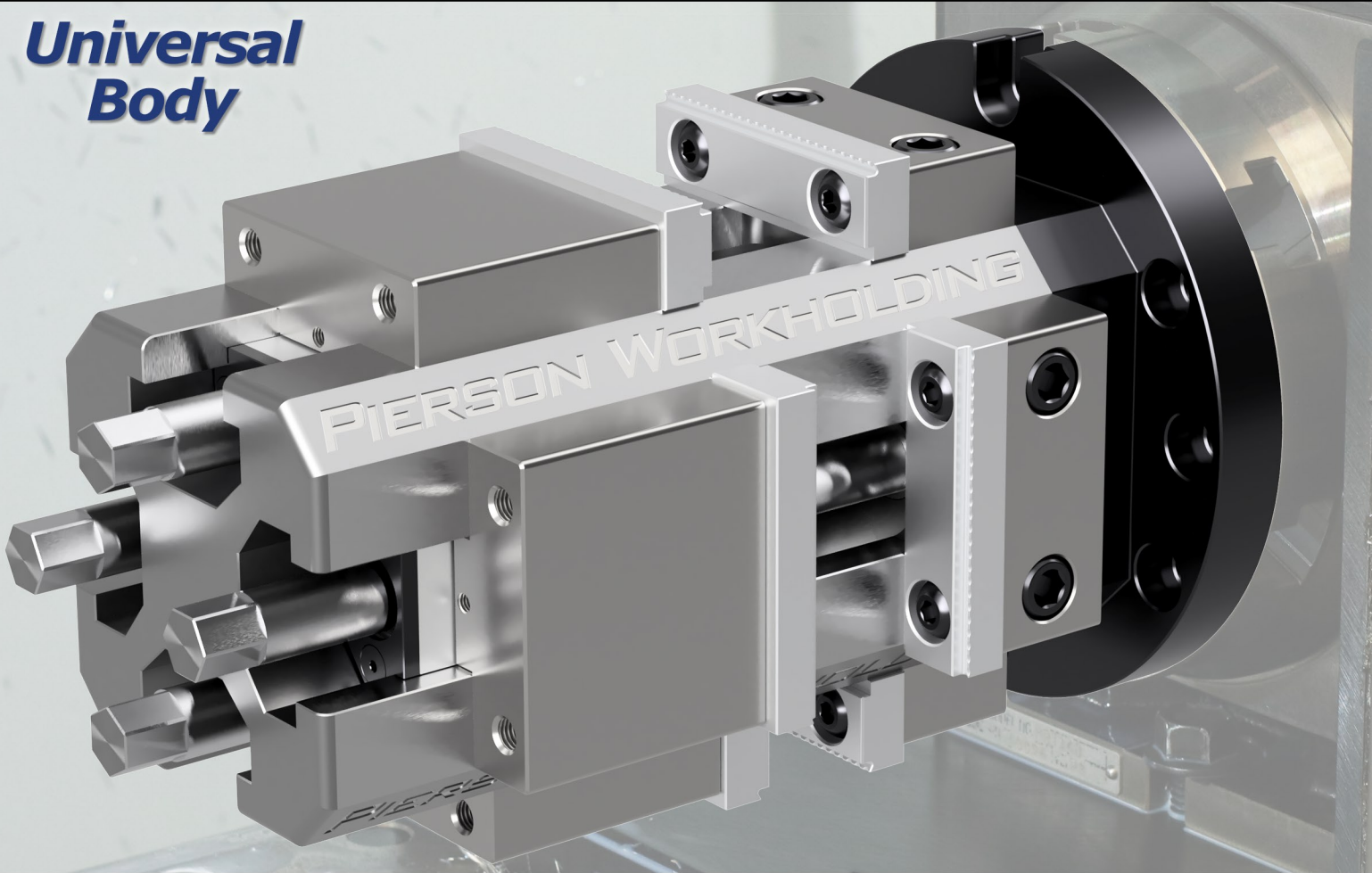
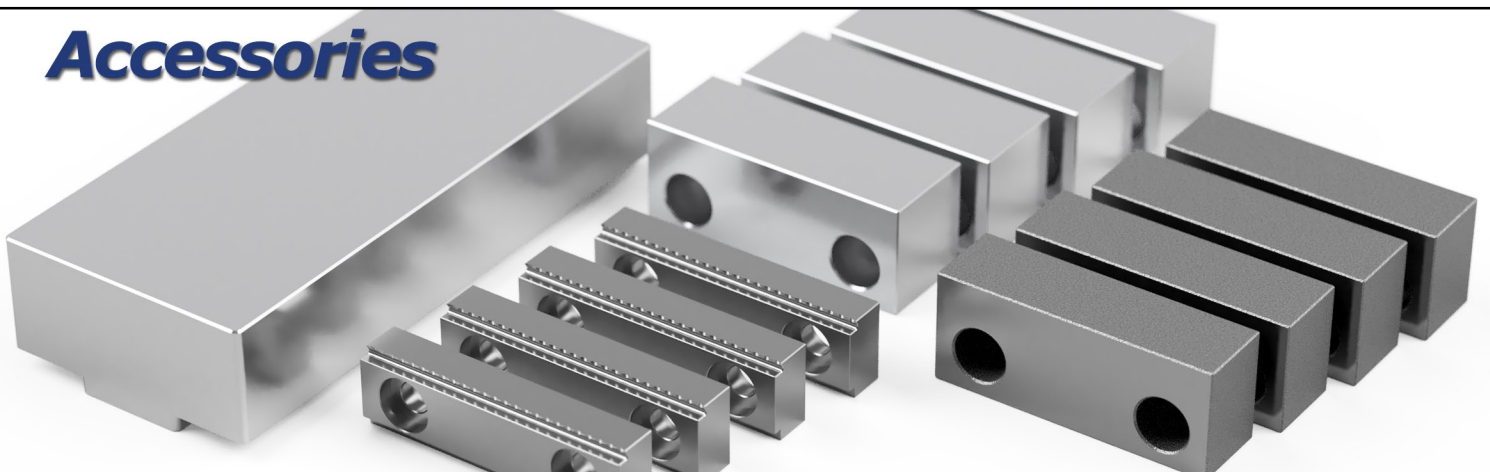


RotoVise

Universal Body

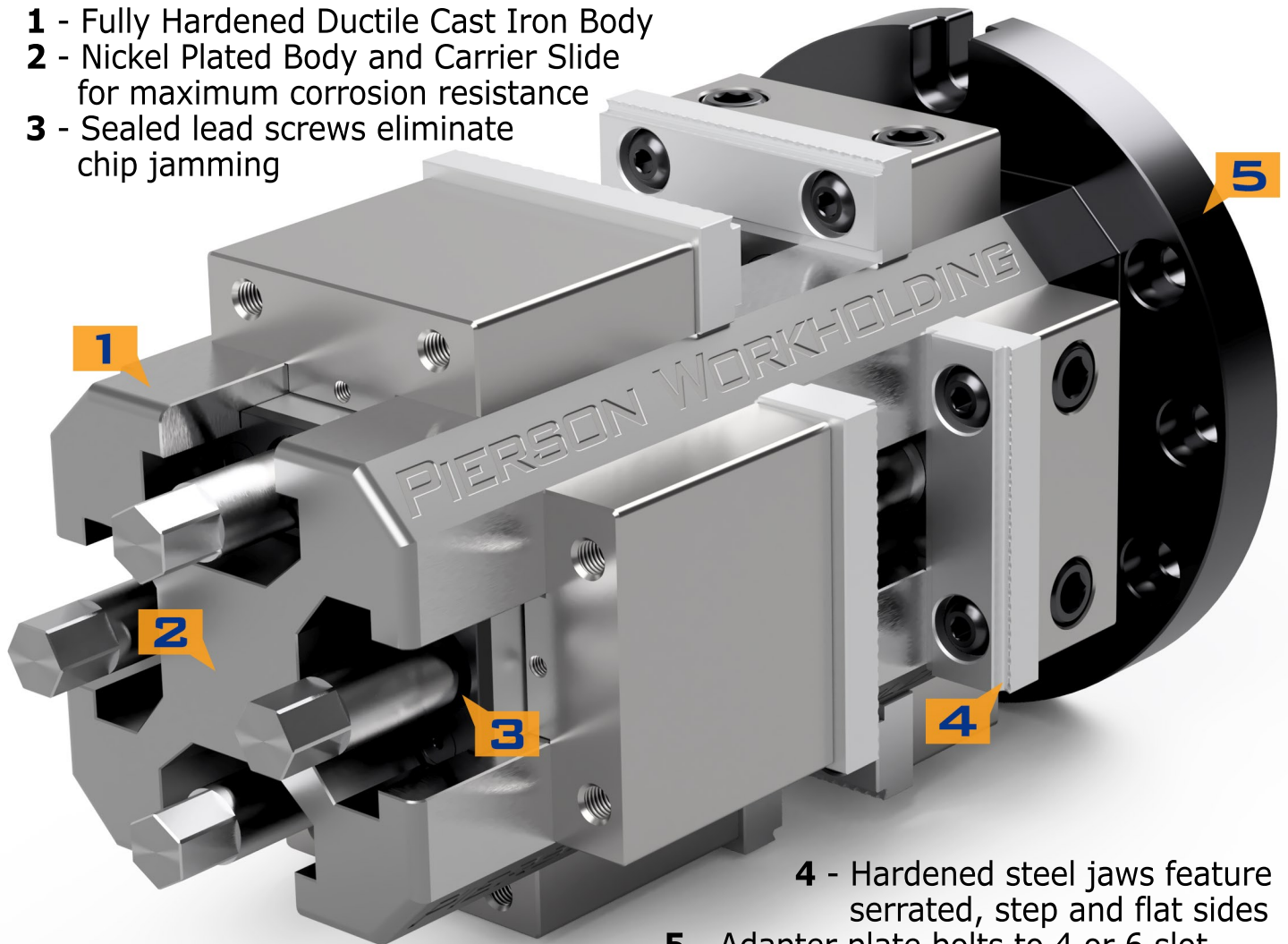


Accessories



The all new **RotoVise** maximizes 4th axis machining with multi-part, multi-sided workholding. By holding four parts with access to three faces per part allows you to easily achieve a 12x production boost over a traditional vise. With several jaw options and a mini pallet, there's virtually no limit to the workholding combinations.

- 1 - Fully Hardened Ductile Cast Iron Body
- 2 - Nickel Plated Body and Carrier Slide for maximum corrosion resistance
- 3 - Sealed lead screws eliminate chip jamming



- 4 - Hardened steel jaws feature serrated, step and flat sides
- 5 - Adapter plate bolts to 4 or 6 slot platters with swappable alignment pin (not shown) for any rotary bore size

Jaw and Pallet Options:

The **RotoVise** comes standard with hardened jaws with step, serrated step and smooth faces. These offer excellent choices for 1st operation work. Our quick change mini pallets expand capabilities even further for use with clamps or bolt-down applications.

